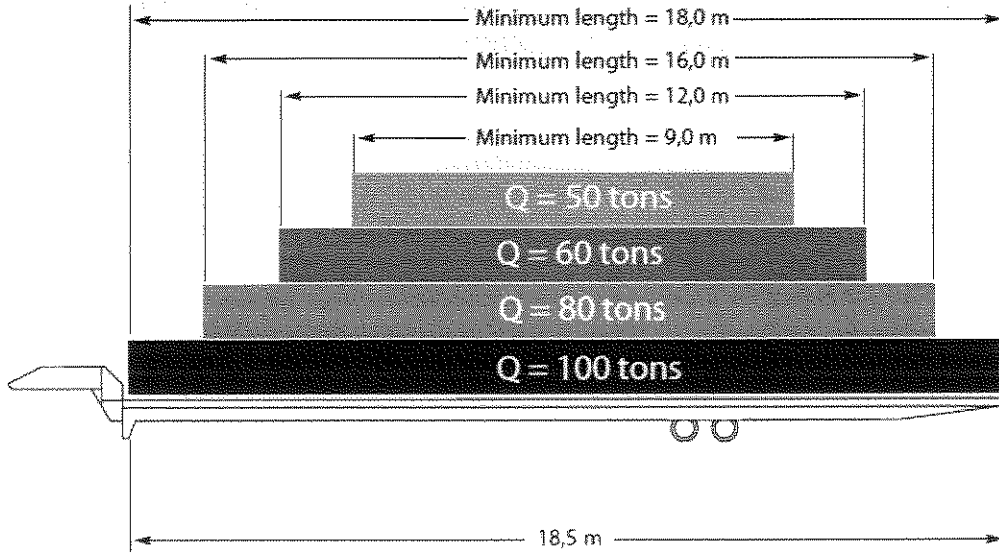


Distributed loads



Load center of gravity

Load center of gravity must be within the colored areas corresponding to the load

